

Strip Folding Striped Heart Motif Templates

How to Make: <http://www.auntannie.com/GreetingCards/StripFoldingHeart>

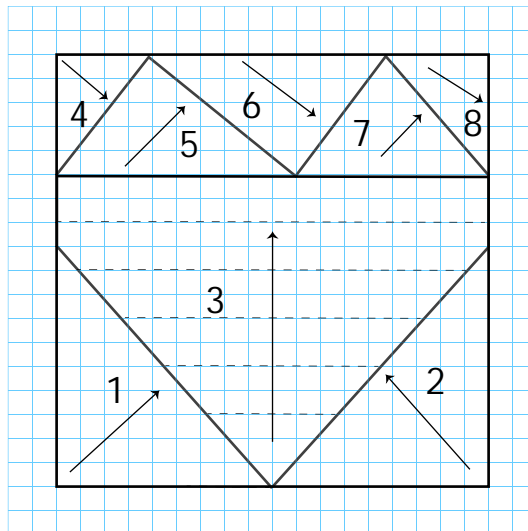
Fill area #3 with overlapping strips as indicated by the dashed lines. For a striped-look, use alternating colors or alternating dark and light strips. Fill the other areas with a single strip or overlapping strips. Fill the areas in number order, placing the folded edge of each strip on the line pointed to by the arrow.

2.25"

Cut fill strips in these pre-folded widths:

- Single strip fill
2" wide strips
- Overlapping strips fill
 $\frac{3}{4}$ " to $1\frac{1}{2}$ " wide strips

Cut 4- $2\frac{3}{4}$ " long, folded strips for the inner frame.



3"

Cut fill strips in these pre-folded widths:

- Single strip fill
 $2\frac{1}{2}$ " wide strips
- Overlapping strips fill
 $\frac{3}{4}$ " to $1\frac{1}{2}$ " wide strips

Cut 4- $3\frac{1}{2}$ " long, folded strips for the inner frame.

